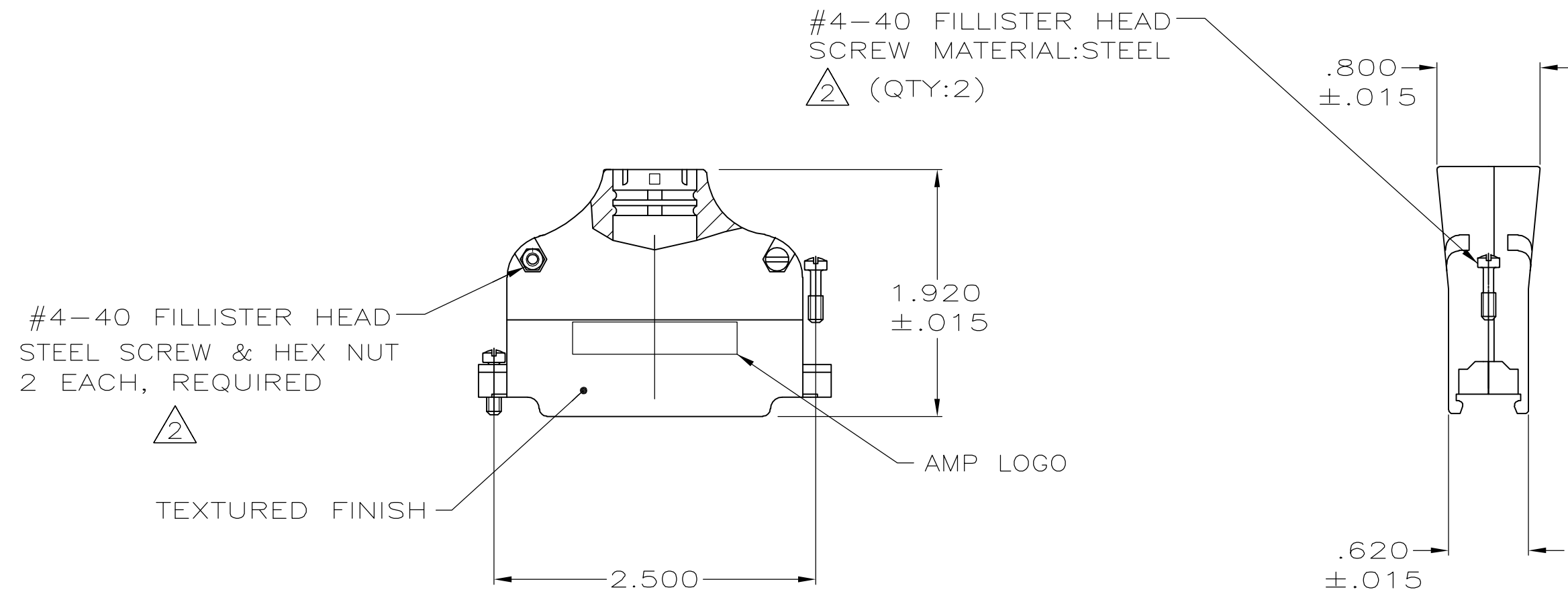
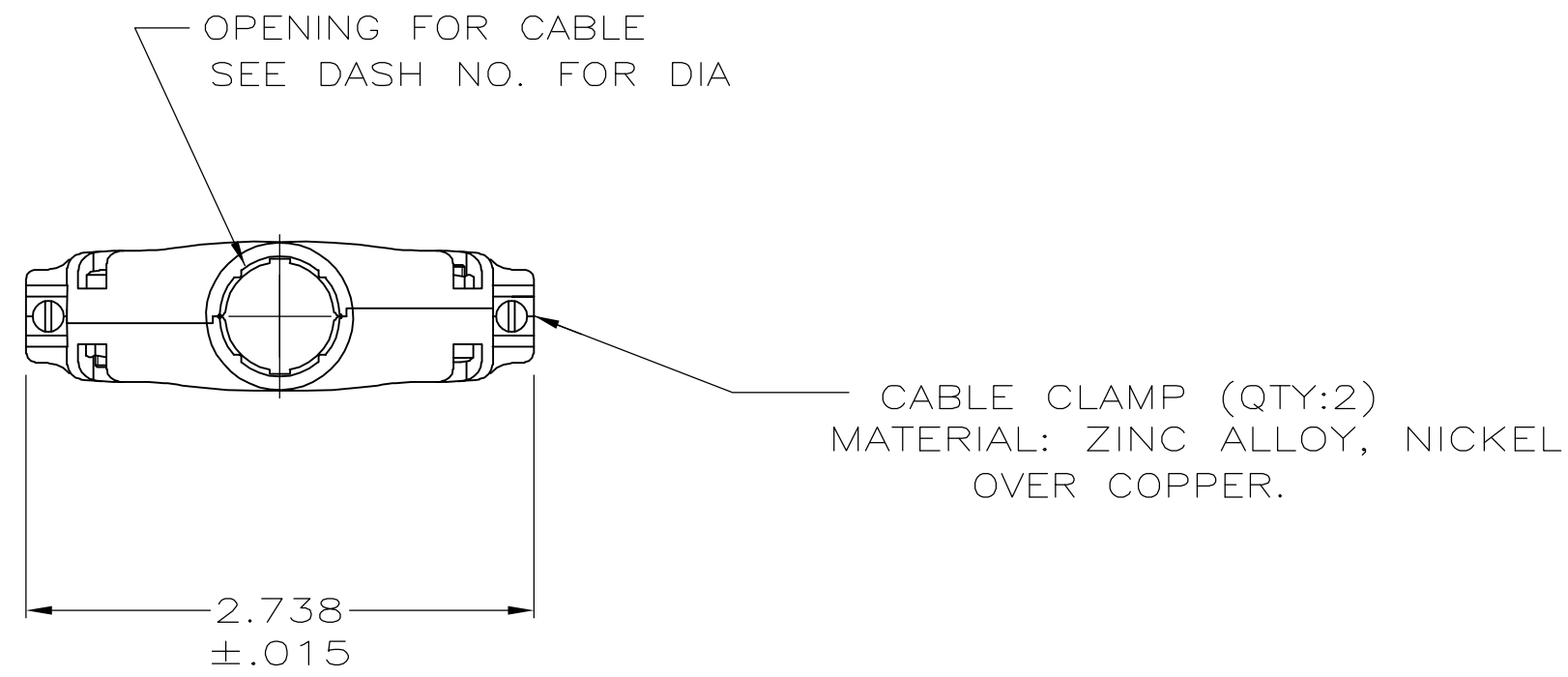


THIS DRAWING IS UNPUBLISHED. RELEASED FOR PUBLICATION  
 © COPYRIGHT BY TYCO ELECTRONICS CORPORATION. ALL RIGHTS RESERVED.

LOC	DIST	REVISIONS			
P	LTR	DESCRIPTION	DATE	DWN	APVD
GP	00	0	RELEASED PER EC 0S13-0226-05	8-13-05	D.H. J.G.



NECK IDENT	CABLE DIA	PART NO.
P	.530	2-5745174-7
F	.350	5745174-5
J	.425	5745174-4
N	.500	5745174-3
R	.575	5745174-2
T	.650	5745174-1

- PARTS PACKAGED UNASSEMBLED.
- ZINC PLATED .000200-.000400 THICK, CLEAR CHROMATE COATING.

**COPYRIGHT 2005  
 TYCO ELECTRONICS CORP  
 ALL RIGHTS RESERVED**

THIS DRAWING IS A CONTROLLED DOCUMENT.		DWN D. HENNY 8-13-05	Tyco Electronics Corporation Harrisburg, Pa 17105-3608		
DIMENSIONS: INCHES		CHK C. ROHDE 8-13-05			
		APVD M. WALMSLEY 8-13-05	NAME CABLE CLAMP KIT, SIZE 4, 37 POSITION, 180', AMPLIMITE SERIES		
TOLERANCES UNLESS OTHERWISE SPECIFIED: 0 PLC ± - 1 PLC ± - 2 PLC ± - 3 PLC ± .005 4 PLC ± - ANGLES ± -		PRODUCT SPEC APPLICATION SPEC	SIZE A2	CAGE CODE 00779	DRAWING NO C=5745174
MATERIAL SEE CALLOUTS		FINISH SEE CALLOUTS	WEIGHT -	RESTRICTED TO -	REVISIONS -
CUSTOMER DRAWING			SCALE 1:1	SHEET 1 OF 1	REV 0